

ST-3/5

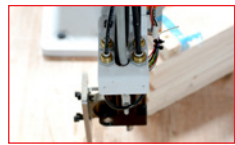
Servo Driven Robot



Proximity sensor
Proximity sensor
Fotec



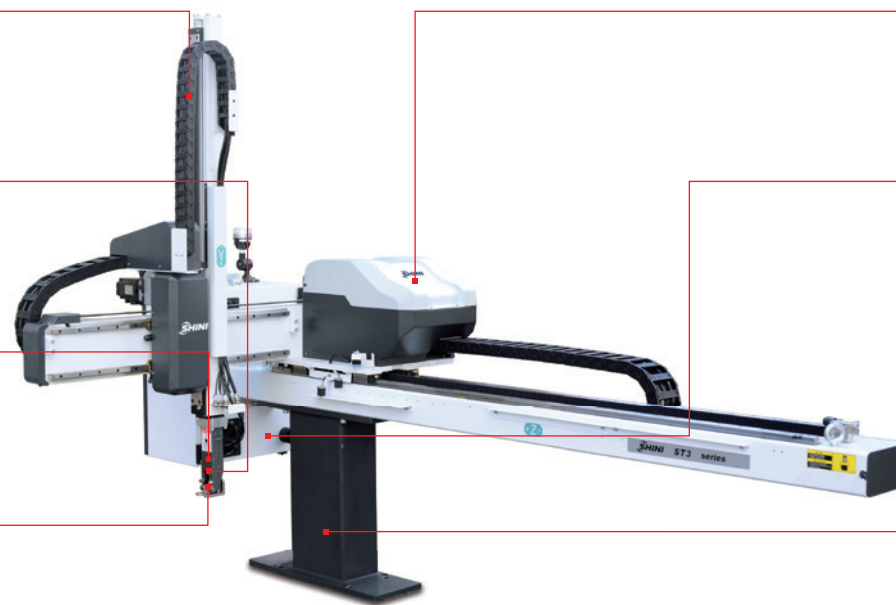
Upturning setup
0-90 degrees



1 main circuit



2 additional circuits



Easy friendly
software setting



Servo
Panasonic



New A7 Pad
controller
ensures simple operation



New base
Customized
according
to the needs

